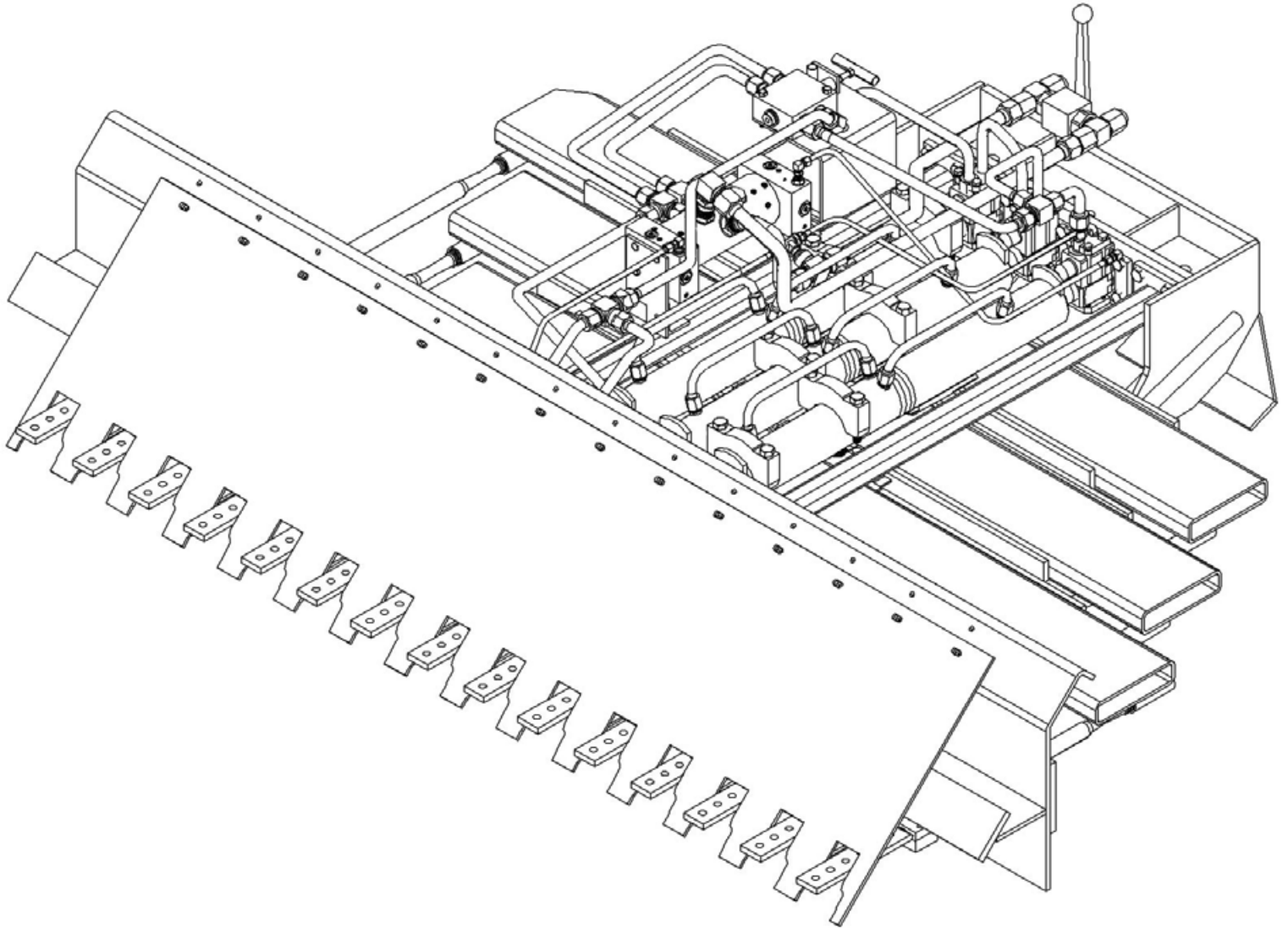


**KEITH®**

# ***LEAKPROOF III***

UNLOADING SYSTEM



**PARTS MANUAL**

Component Location Diagram ..... LP3. 3

Drive Frame & Related Components ..... LP3. 4

Cross-Drive Assembly ..... LP3. 6

Cylinder Assembly ..... LP3. 8

Pilot Operated Check Valve Assembly ..... LP3. 10

Standard Check Valve Assembly ..... LP3. 12

Pilot Operated Switching Valve Assembly ..... LP3. 14

Control Valve Assembly ..... LP3. 16

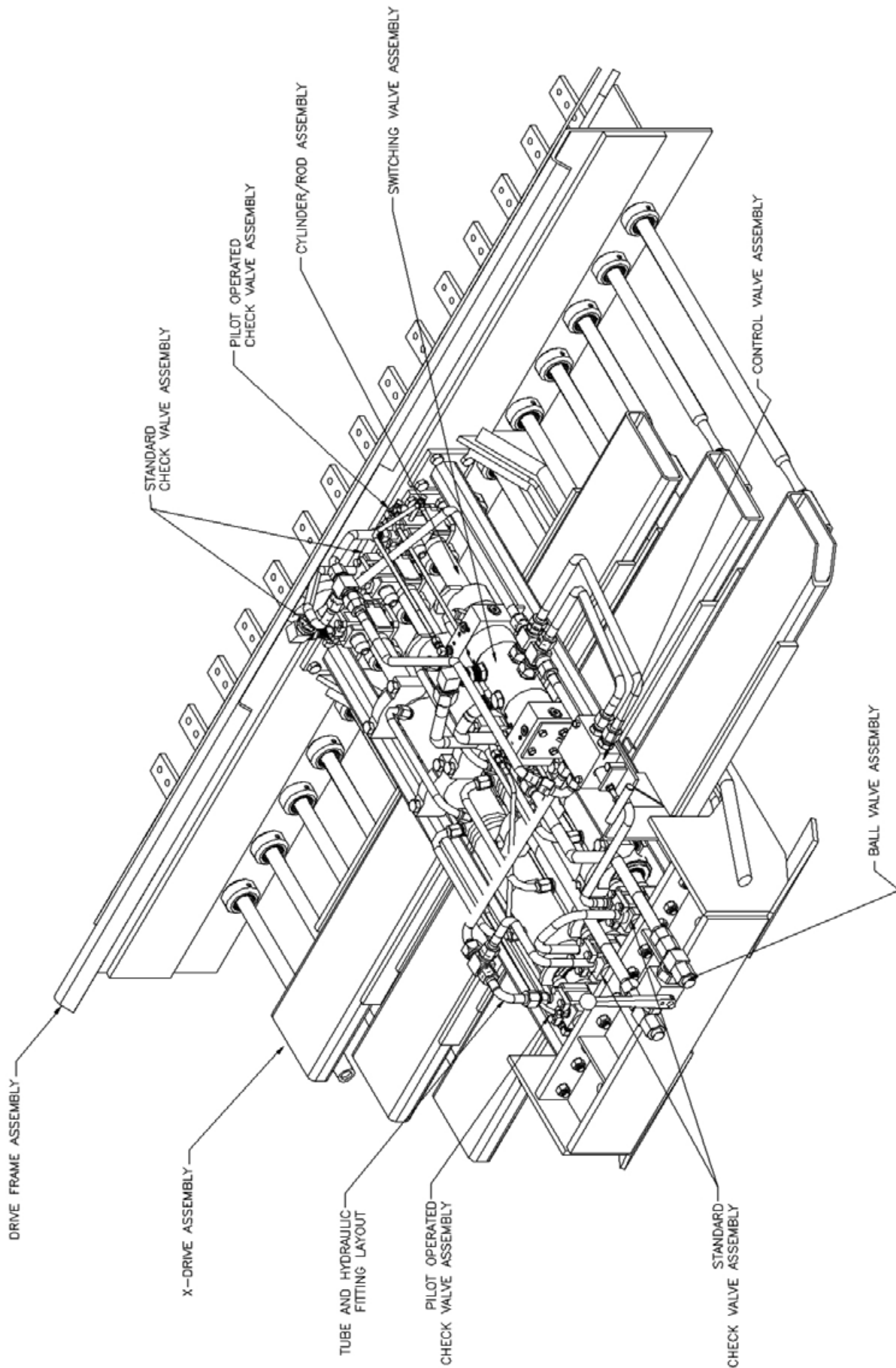
Ball Valve Assembly ..... LP3. 18

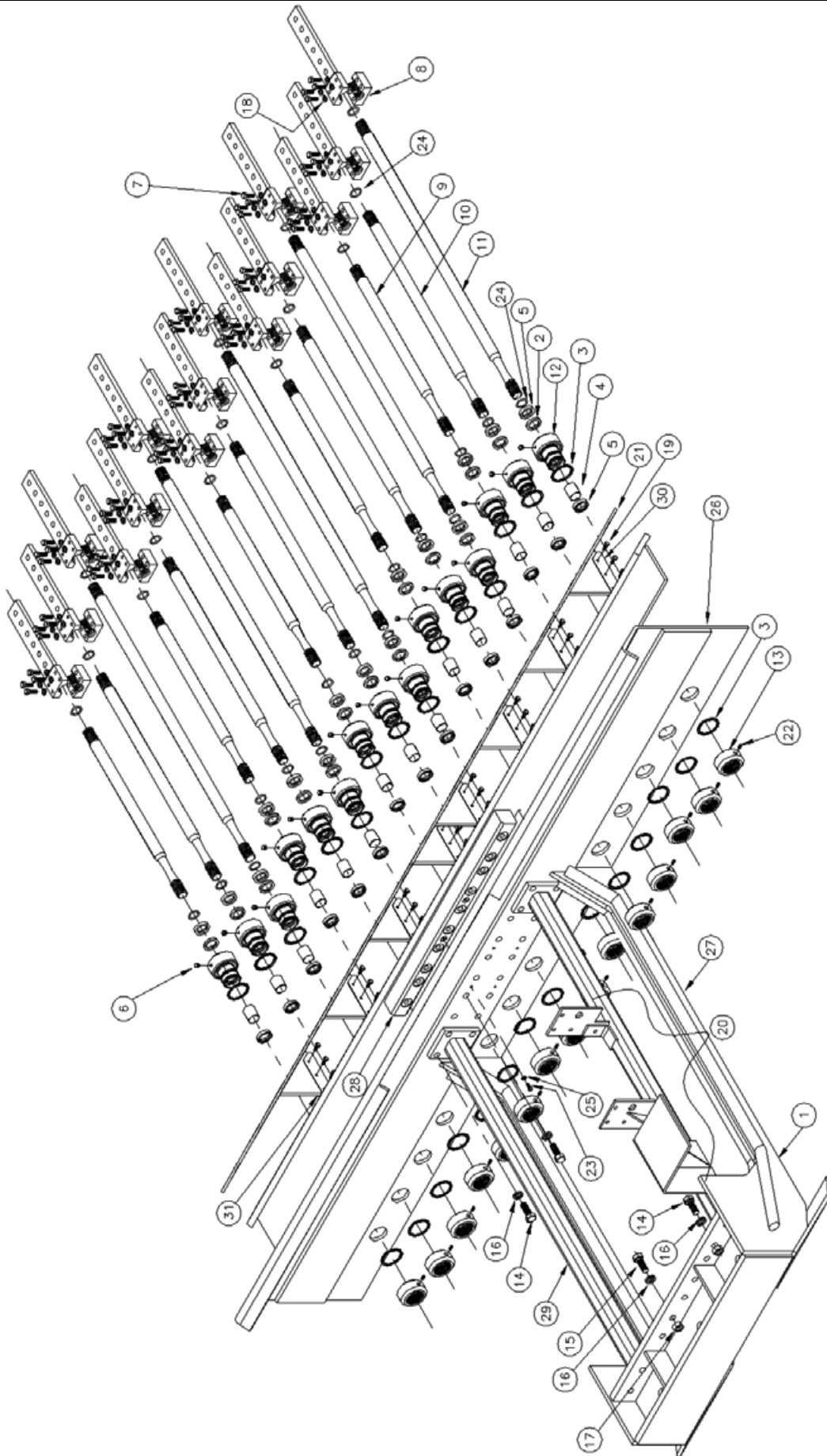
Hydraulic Tubing & Fittings Diagram ..... LP3. 20

*Note: The following parts guide is for KEITH® LeakProof III Drive slat systems.  
For all other systems please contact us for more information:*

KEITH WALKING FLOOR Europe: +31 (0) 342-422007  
 KEITH Mfg. Co. USA: +1 (541) 475-3802  
 KEITH WALKING FLOOR International Mexico: +52 (33) 3616 5079  
 KEITH WALKING FLOOR International Canada: +1 (519) 756 9178

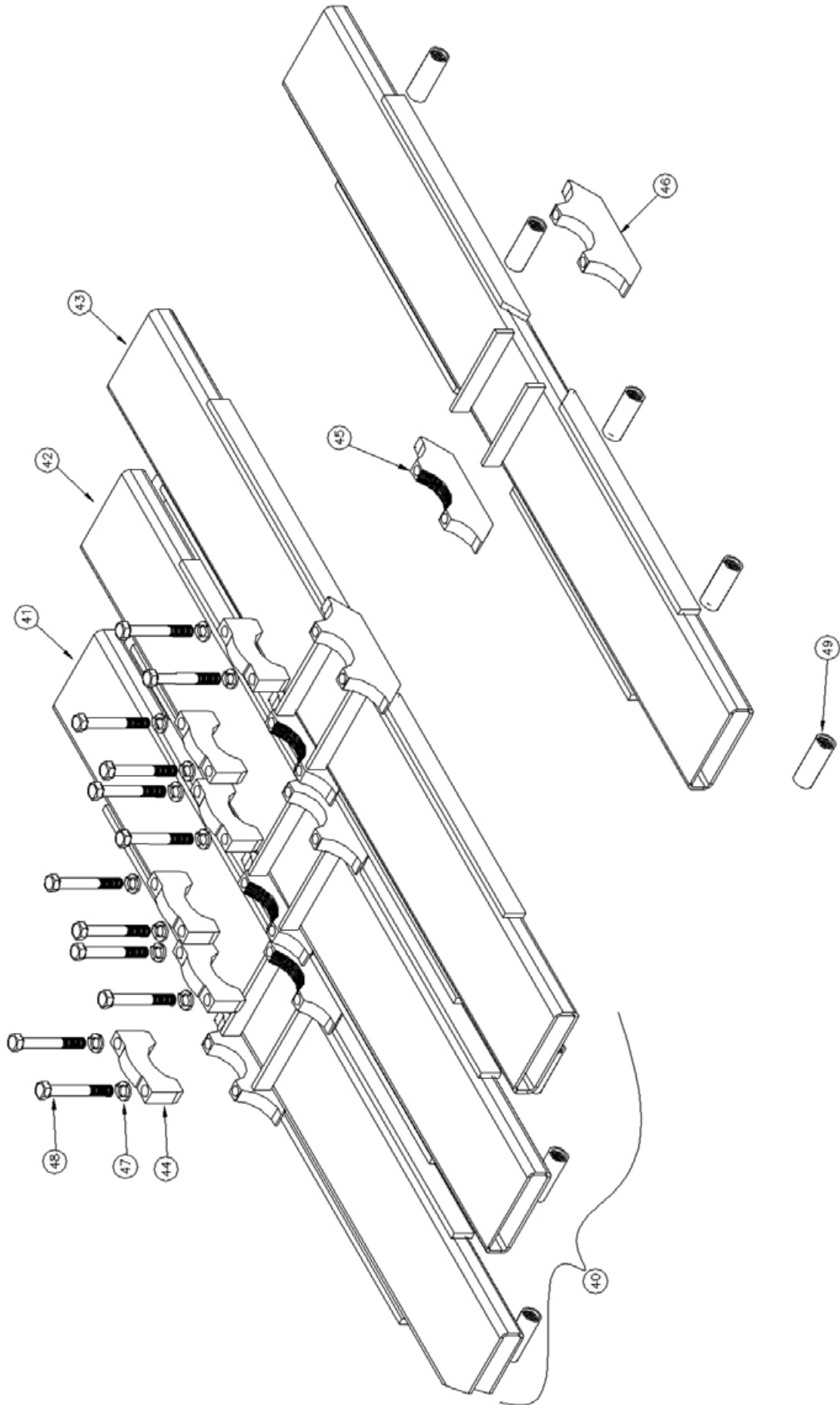
KEITH® & WALKING FLOOR® are registered worldwide trademarks of KEITH Mfg. Co.



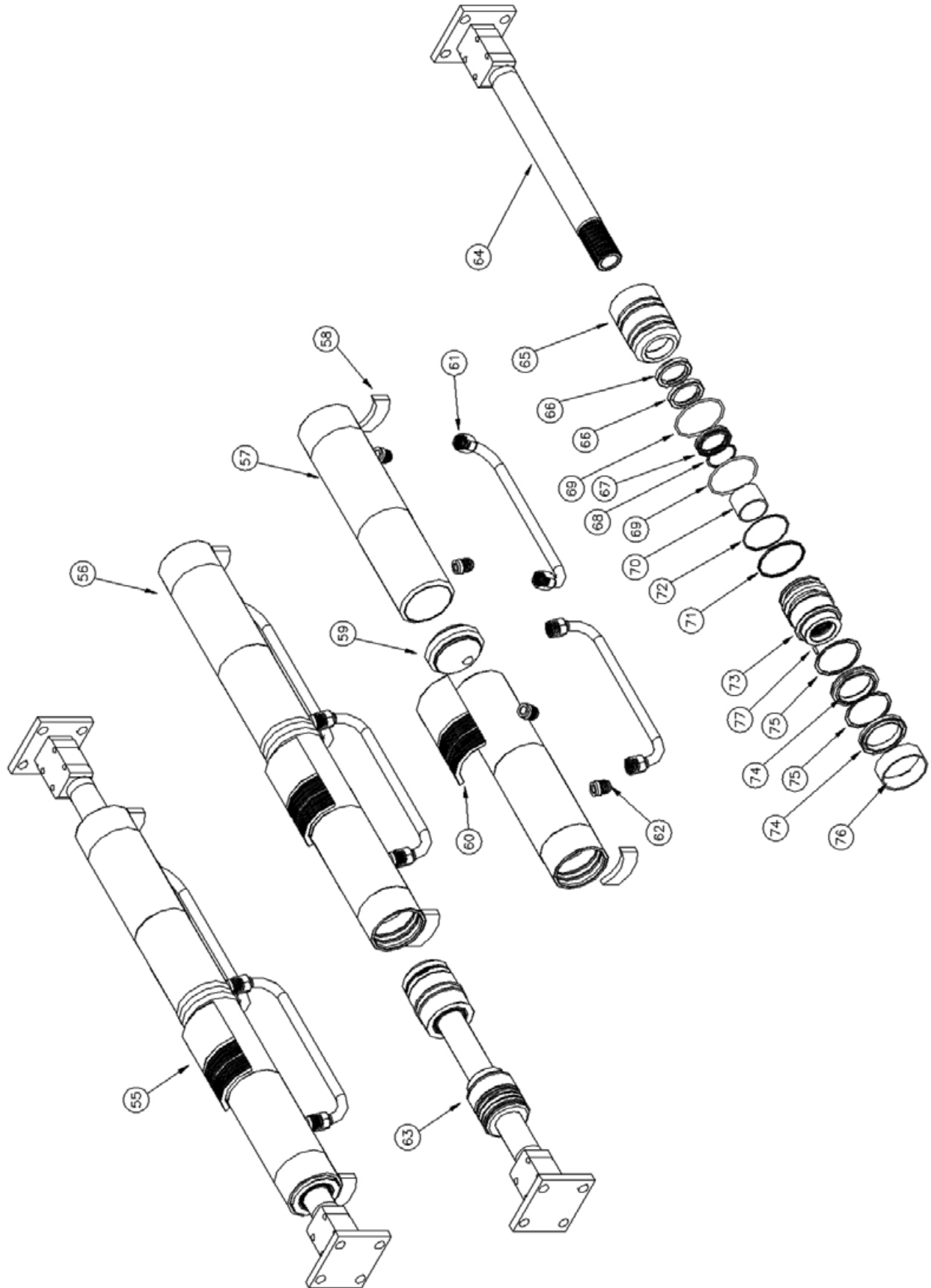


ID#	QUANTITY	DESCRIPTION	PART #
-(1)	1	Drive Frame Assembly Steel	05028101
-	-		-
1 <sup>(1)</sup>	1	Drive Frame Steel	04965201
2	15	Seal Rod 1 1/8" UR2500-1125-312	84353200
3	30	O-Ring 330	84386200
4	15	Wear Ring Rod 1 1/8" WO62-1250-1500	84402000
5	30	Wiper Rod 1 1/8" J1125	84425800
6	15	Fitting Grease 1/8" Pipe	84704400
7	60	Bolt Hex GR5 3/8"x1 3/4"	86439000
8	15	Clevis Bar Assembly	03094601
9	5	Rod Drive 24"	03383901
10	5	Rod Drive 29 1/4"	03386901
11	5	Rod Drive 39 3/4"	04792501
12	15	Bushing Drive Rod	03421201
13	15	Jam Nut Bushing Drive Rod	03421301
14	16	Bolt Socket Head GR8 5/8"x2-1/2"	86466000
15	24	Bolt Hex GR8 5/8"x1-3/4"	86464000
16	40	Washer Lock 5/8"	86559000
17	20	Hex Nut 5/8"	86632000
18	60	Washer Lock 3/8"	86555000
19	24	Rolock Self-Tapper 1/4" x 3/4"	86411500
20	1	Mount Bar Assembly Switching Valve	04935201
21 <sup>(1)</sup>	1	Shield Lower Assembly	04880201
22	15	Set Screw 3/8"x3/8" Socket	86435500
23	4	Bolt Hex GR5 1/4"x2"	86418500
24	30	O-Ring 314	84385800
25	4	Washer Lock 1/4"	86551500
26	1	Water Dam	04965301
27	2	Profile Plate	04965401
28	2	Bolt Bar	04792701
29	1	Drive Tube	04790801
30	4	UHMW Extension Bearing, Left	04059401
31	4	UHMW Extension Bearing, Right	04060301

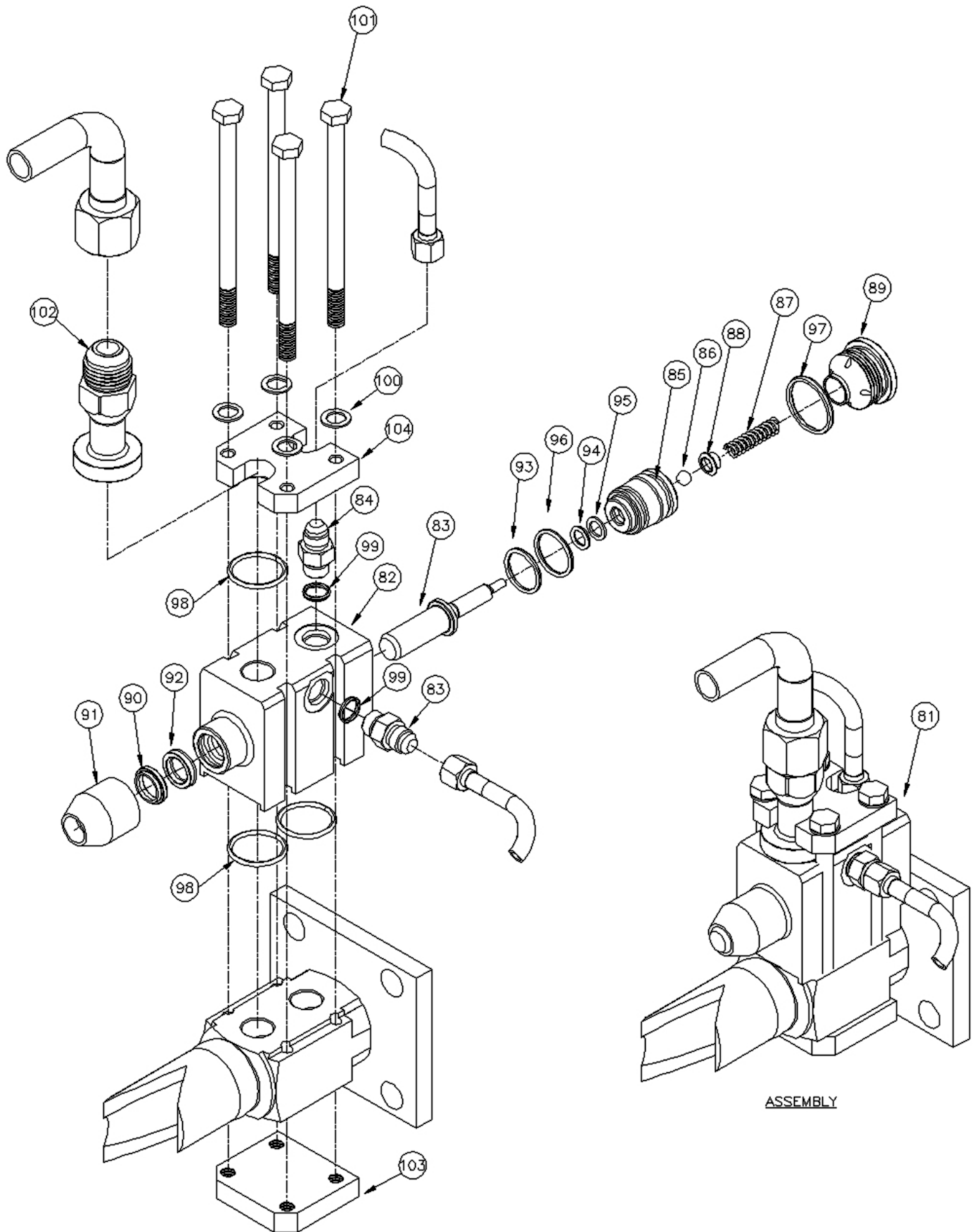
(1) Part numbers and descriptions vary based on drive configuration and application.



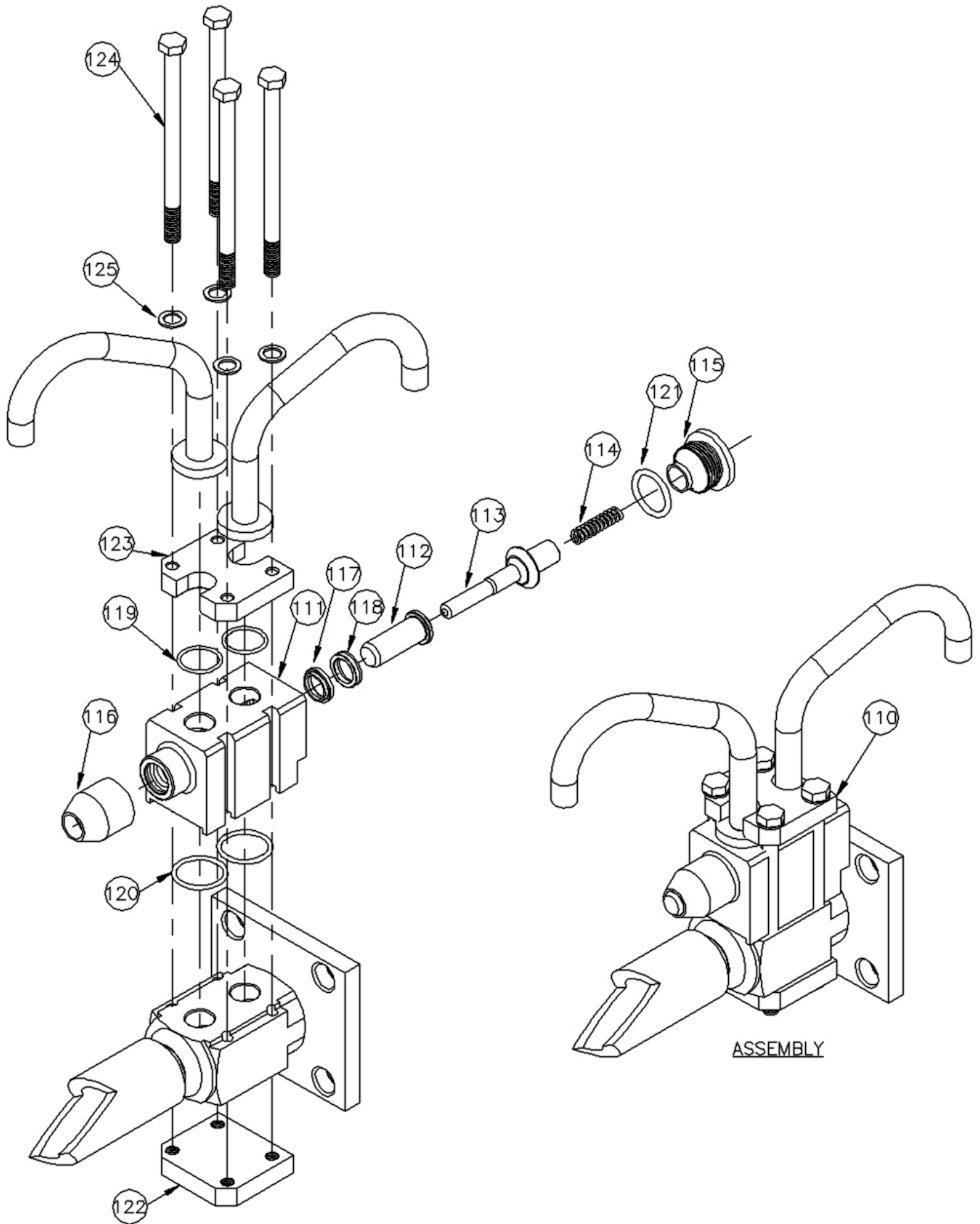
ID#	QUANTITY	DESCRIPTION	PART #
40	1	<b>Cross-Drive 15 Slat 3 Cylinder Set</b>	<b>04755001</b>
-	-	Includes Items 41-43	-
41	1	Cross-Drive 15 Slat 3 Cylinder #1	04755002
42	1	Cross-Drive 15 Slat 3 Cylinder #2	04755003
43	1	Cross-Drive 15 Slat 3 Cylinder #3	04755004
44	6	Clamp Lower Barrel 80mm	04756801
45	3	Clamp Grooved Barrel 80mm	04756301
46	3	Clamp Smooth Barrel 80mm	04756201
47	12	Washer Lock 3/4"	86559500
48	12	Bolt Hex GR8 3/4"x4 1/2"	86474000
49	15	Drive Shoe	03156301



ID#	QUANTITY	DESCRIPTION	PART #
55	3	<b>Cylinder Assembly in 3 Cylinder Drive</b>	<b>04763801</b>
-	-	Includes Items 56-77	-
56	1	<b>Barrel Assembly 80mm Cylinder</b>	<b>04763601</b>
-	-	Includes Items 57-62	-
57	2	Barrel Half 80mm	04763301
58	2	Shift Plate Check Valve	03416801
59	1	Centerhead 80mm w/o Cushion	04763401
60	1	Grooved Pad 80mm	04763501
61	2	Cylinder Cross-Over Tube 12" Centers	04362901
62	4	Tube Flange Fitting	03083701
63	1	<b>Rod W/Piston &amp; Head 80mm Assembly</b>	<b>04763701</b>
-	-	Includes Items 64-77	-
64	1	Rod 45mm W/Block & Plate	04761001
-	1	<b>Head 80mm Assembly Cylinder</b>	<b>04576701</b>
-	-	Includes Items 65-72	-
65	1	Head 80mm Cylinder	04027001
66	2	Wiper Rod 45mm Canned	84426600
67	1	Seal Rod Cylinder 45mm	84354200
68	1	Seal Backup Rod Cylinder 45mm	w/seal
69	2	Lock Wire 80mm Head Cylinder	03812109
70	1	Wear Ring Rod Cylinder 45mm	84401200
71	1	O-Ring 233	84384400
72	1	O-Ring Backup 8-233	84392600
-	1	<b>Piston 80mm Assembly Cylinder</b>	<b>04576401</b>
-	-	Includes Items 73-77	-
73	1	Piston Steel 80mm Cylinder	01950101
74	2	Seal Piston Cylinder 80mm	84350800
75	2	Seal Piston Backup Piston Cylinder	w/seal
76	1	Wear Ring Piston Cylinder 80mm	84401000
77	1	Pin Drive Lock 3/16" x 1/2"	86650400
-	1	<b>Seal Kit 80mm Cylinder</b>	
-	-	Includes Items 66-72 & 74-76	-

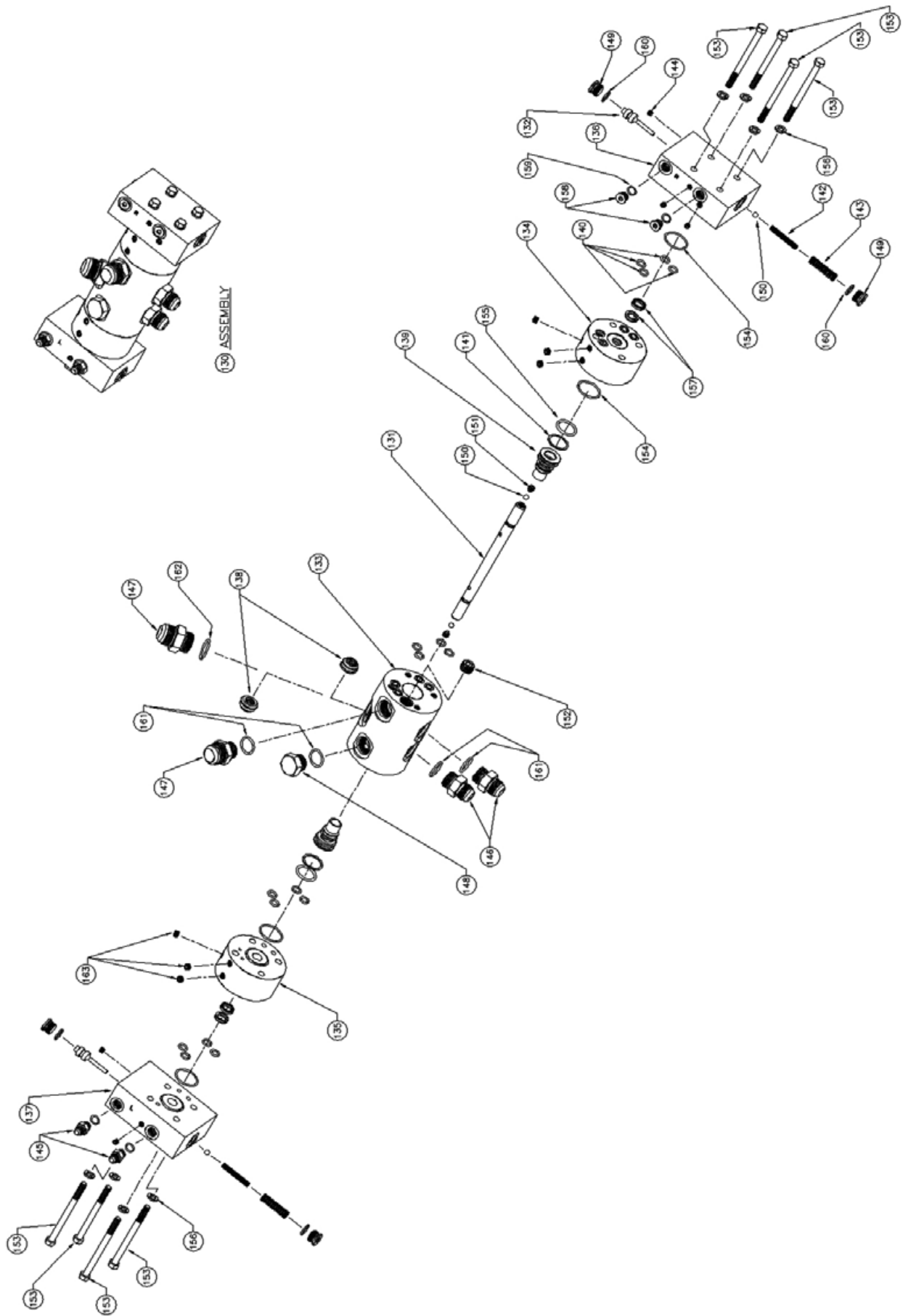


ID#	QUANTITY	DESCRIPTION	PART #
<b>81</b>	<b>1</b>	<b>Pilot Operated Check Valve Assembly</b>	<b>05088701</b>
-	-	Includes Items 81-104	-
82	1	Body Check Valve External	03981701
83	1	Plunger Check Valve External	04199601
84	2	6400-06-06 Straight	84684000
85	1	Pilot Check Valve Seat	04199501
86	1	Ball 5/16" Chrome Steel	84800500
87	1	Spring 1/2" O.D. x 1" Lg	
88	1	Spring Follower	04199701
89	1	End Cap Check Valve Threaded	04279301
-	<b>1</b>	<b>Seal Kit Pilot Operated Check Valve</b>	-
-	-	Includes Items 90-99	-
90	1	Seal Rod Cylinder 45mm	84354200
91	1	Dust Boot Check Valve External	84801100
92	1	Seal Rod 5/8"	84352200
93	1	O-Ring 118	84377300
94	1	O-Ring 110	84376000
95	1	O-Ring Backup 8-110	84388890
96	1	O-Ring 119	84377400
97	1	O-Ring 916	84387800
98	3	O-Ring 122	84377800
99	2	O-Ring 906	84386800
100	4	Washer Lock 5/16"	86553000
101	4	Bolt Hex GR5 5/16"x5 1/2"	86434500
102	1	Staub Connector	03546301
103	1	Clamp Top Check Valve External	02513001
104	1	Clamp Bottom Check Valve External	02513101

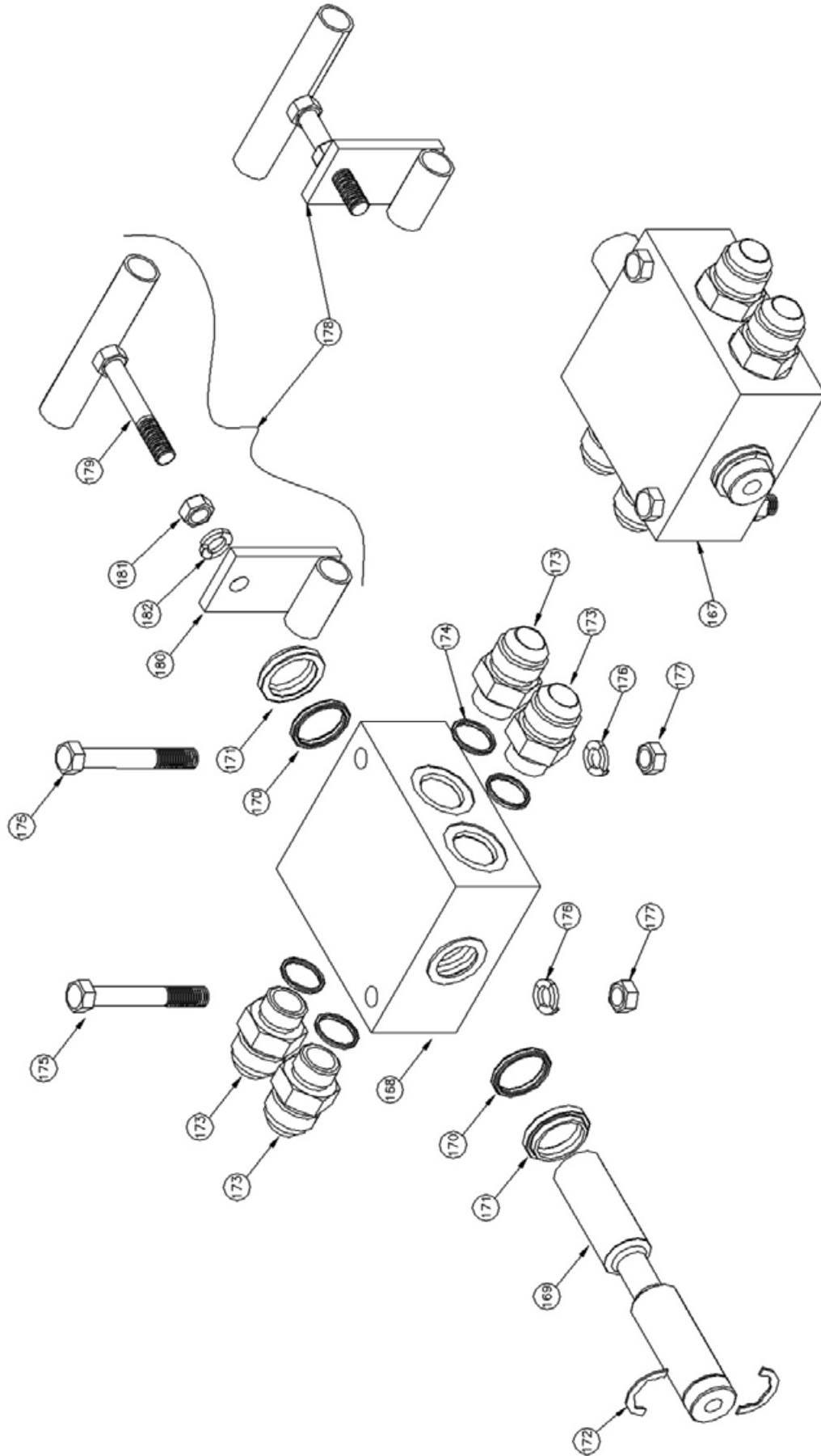


ID#	QUANTITY	DESCRIPTION	PART #
<b>110</b>	<b>1</b>	<b>Check Valve External Assembly</b>	<b>03709401</b>
-	-	Includes Items 111-125	-
111	1	Body Check Valve External	03654601
112	1	Plunger Check Valve External	01771101
113	1	Rod Check Valve External	01766901
114	1	Spring Check Valve External Large #B-18273	84453400
115	1	End Cap Check Valve External Threaded	03654501
-	<b>1</b>	<b>Seal Kit Check Valve External</b>	<b>03878101</b>
-	-	Includes items 116-121	-
116	1	Dust Boot Check Valve External	84801100
117	1	Plunger Wiper Check Valve External	84426800
118	1	Seal Rod 5/8"	84352200
119	2	O-Ring 122	84377800
120	2	O-Ring 214	84381600
121	1	O-Ring 916	84387800
_(1)	1	O-Ring 124	84378000
_(1)	1	Lock Wire Check Valve External	03889301
122	1	Clamp Top Check Valve External	02513001
123	1	Clamp Bottom Check Valve External	02513101
124	4	Bolt Hex GR5 5/16"x5 1/2"	86434500
125	4	Washer Lock 5/16"	86553000

(1) Not shown, for use with Check Valve part #0128601 equipped with lock wire end cap.

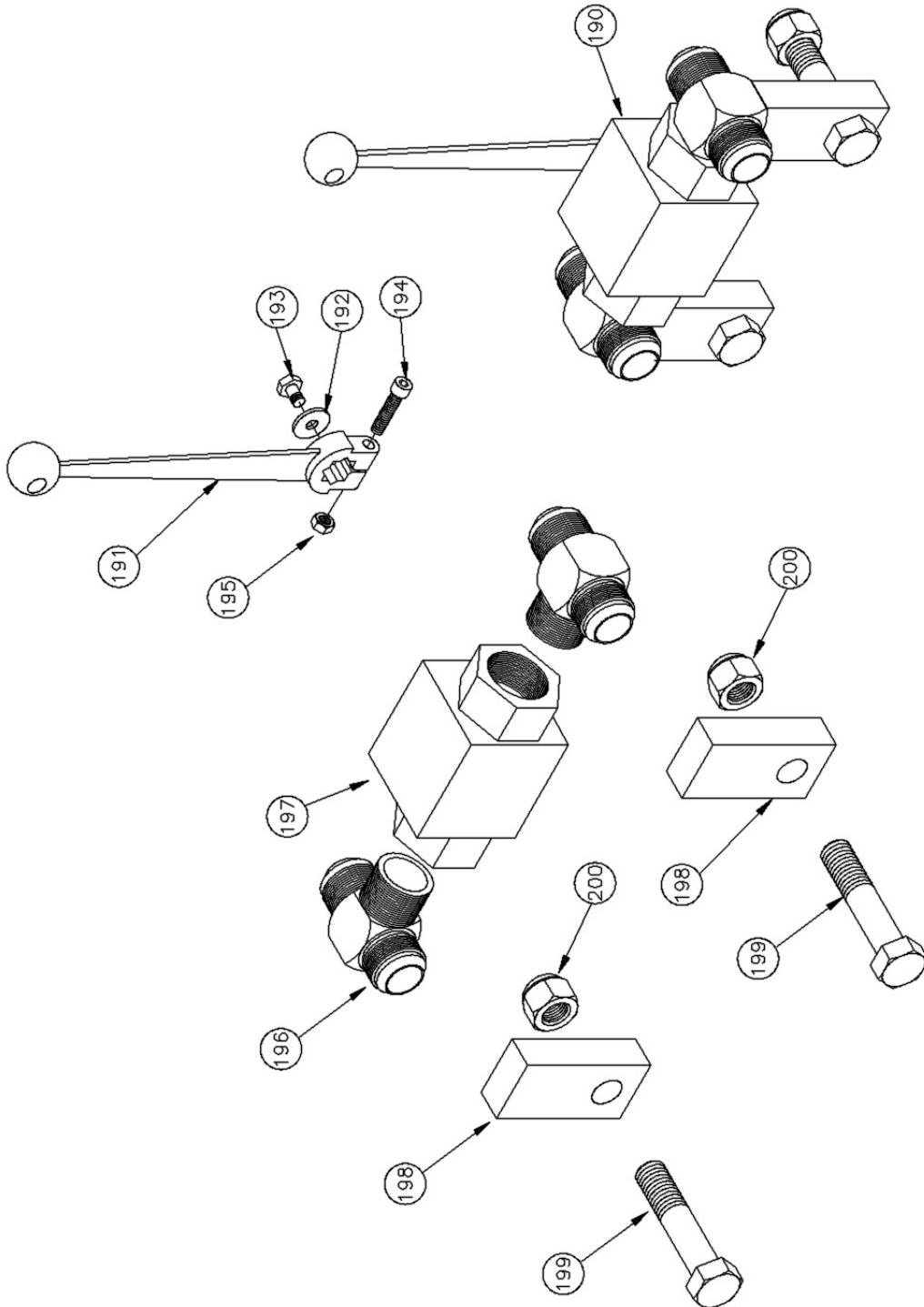


ID#	QUANTITY	DESCRIPTION	PART #
<b>130</b>	<b>1</b>	<b>Switching Valve Assembly Pilot Operated</b>	<b>04126401</b>
-	-	Includes Items 131-163	-
131	1	Rod Control Switching Valve	01335501
132	2	Plunger Pilot Operated Switching Valve	02528901
133	1	Body Pilot Operated Switching Valve	03126801
134	1	End Cap Right Pilot Operated Switching Valve	03126901
135	1	End Cap Left Pilot Operated Switching Valve	03127001
136	1	End Cap Right Outer Pilot Operated Switching Valve	03127101
137	1	End Cap Left Outer Pilot Operated Switching Valve	03127201
138	2	Ring Poppet Switching Valve	03718801
139	2	Poppet Switching Valve	03718901
140	16	O-Ring 111	84376200
141	2	O-Ring Backup 8-216	84391600
142	2	Spring Check Valve External Small #B-18272	84453200
143	2	Spring Check Valve External Large #B-18273	84453400
144	5	1/16" Pipe Plug Socket 7/8" Taper	84680770
145	2	6400-06-06 Straight	84684000
146	2	6400-12-12 Straight	84685000
147	2	6400-16-16 Straight	84685400
148	1	6409-16 M O-Ring Socket Plug	84687900
149	4	6409-08 M O-Ring Socket Plug	84687500
150	4	Ball 5/16" Chrome Steel	84800500
151	2	Set Screw 3/8"x3/8" Half Dog	86435500
152	1	1/2" Pipe Plug Socket 7/8" Taper	84680790
153	8	Bolt Hex GR5 3/8"x5"	86445500
154	4	O-Ring 126	84378200
155	2	O-Ring 216	84382200
156	8	Washer Lock 3/8"	86555000
157	4	Seal Rod 5/8"	84352200
158	2	6408-06 O-Ring Plug	84686600
159	4	O-Ring 906	84386800
160	4	O-Ring 908	84387000
161	4	O-Ring 912	84387400
162	1	O-Ring 916	84387800
163	6	1/8" Pipe Plug Socket 7/8" Taper	84680780
-	<b>1</b>	<b>Seal Kit Pilot Operated Switching Valve</b>	<b>04227401</b>
-	-	Includes Items 140, 141, 154, 155, 157 & 159-162	-

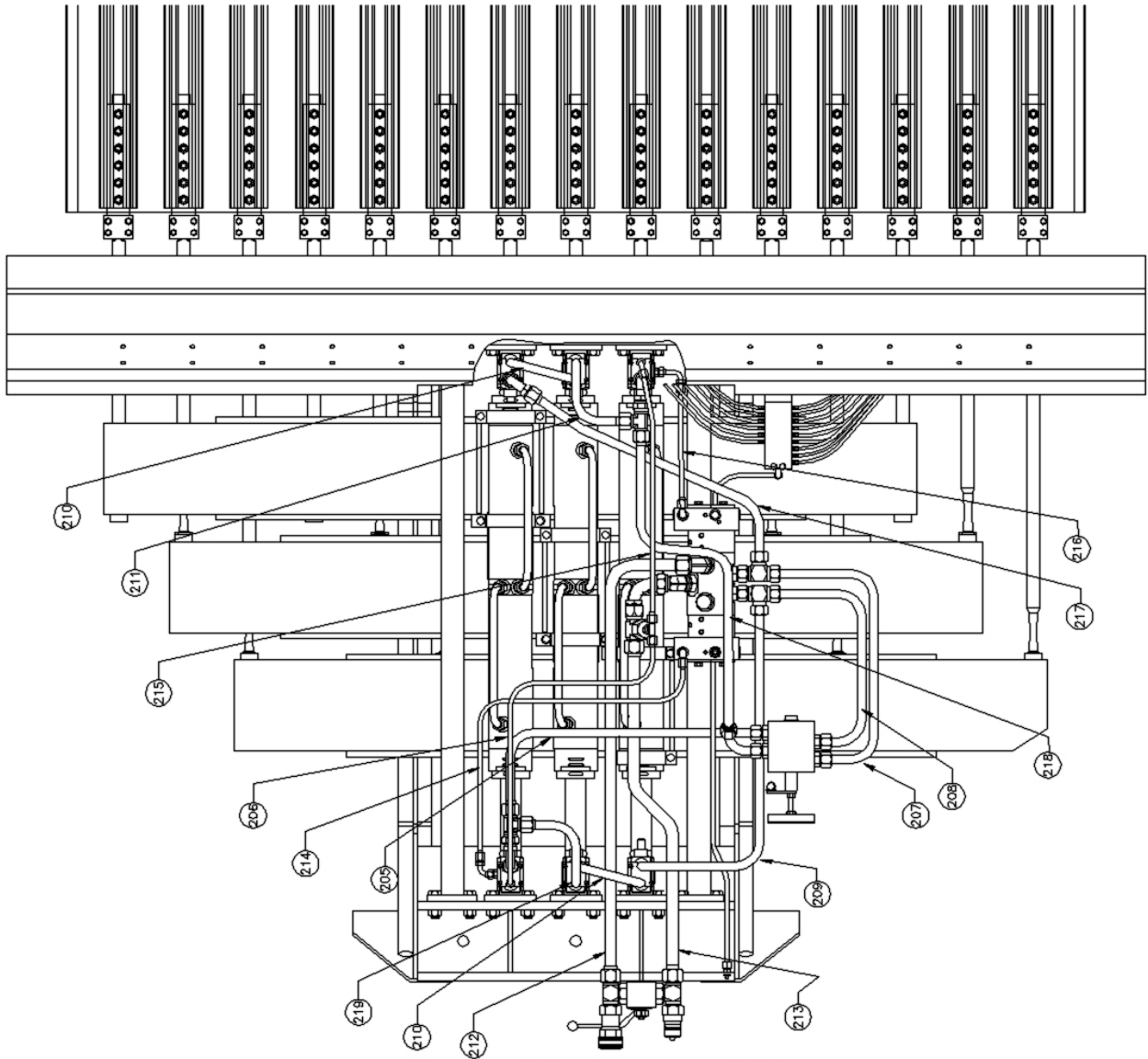
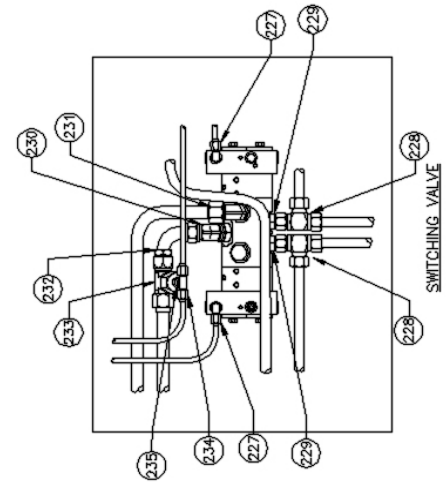
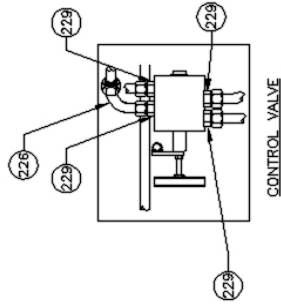
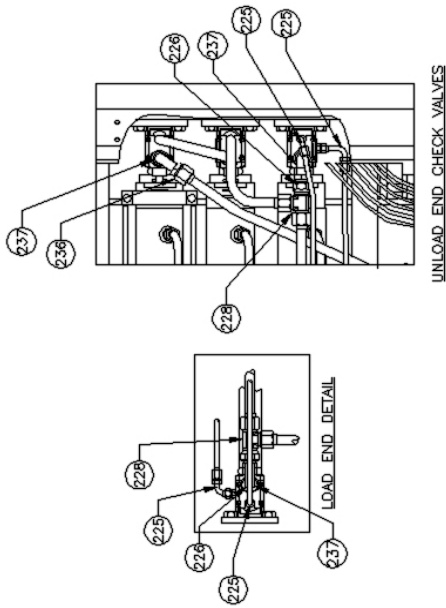


ID#	QUANTITY	DESCRIPTION	PART #
<b>167</b>	<b>1</b>	<b>Control Valve Load/Unload Assembly</b>	<b>02552701</b>
-	-	Includes items 168-177	-
168	1	Body Control Valve	01049501
169	1	Spool Control Valve	03423201
-	<b>1</b>	<b>Seal Kit Control Valve Load/Unload</b>	<b>03877901</b>
-	-	Includes items 170-172	-
170	2	O-Ring 214 B-70	84381800
171	2	Wiper 1" Rod	84427000
172	1	Snap Ring 2-Piece For Spool	84801000
173	4	6400-12-10 Straight	84684900
174	4	O-Ring 910	84387200
175	2	Bolt Hex GR5 3/8"x3"	86442000
176	2	Washer Lock 3/8"	86555000
177	2	Nut Hex 3/8"	86628500
<b>178</b>	<b>1</b>	<b>Handle Assembly Control Valve Load/Unload</b>	<b>02552601</b>
-	-	Includes items 179-182	-
179 <sup>(1)</sup>	1	"T" Handle	-
180 <sup>(1)</sup>	1	"T" Handle Plate	-
181	1	Nut Hex 3/8"	86628500
182	1	Washer Lock 3/8"	86555000

(1) Not sold separately. Included only with Control Valve Handle Assembly.



ID#	QUANTITY	DESCRIPTION	PART #
190	1	Ball Valve 1" W/ Tees & Handle	84802600
-	-	Includes Items 191-197	-
191	1	Handle Ball Valve	84802900
192	1	Washer Flat 6mm	w/ball valve
193	1	Bolt Hex GR8 6mmx1mmx10mm	w/ball valve
194	1	Bolt Socket Head GR8 6mmx1mmx30mm	w/handle
195	1	Nut Hex 6mmx1mm	w/handle
196	2	2601-16-16-16 Tee	84677700
197	1	Ball Valve Assembly 1"	84802800
198	2	Plate Mount Ball Valve	03156401
199	2	Bolt Hex GR8 5/8"x2"	86464500
200	2	Bolt Hex GR8 3/4"x4 1/2"	86474000



ID#	QUANTITY	DESCRIPTION	PART #
-	-	<b>Hydraulic Tubes</b>	-
-	-	Includes Items 205-219	-
205	1	Tube #1 Control Valve #1 Load End Cycle Tee	05041801
206	1	Tube #2 #3 Load End Cylinder to Couple	05041901
207	2	Tube #3 Switching Valve to Control Valve (outside)	05042001
208	1	Tube #4 Switching Valve to Control Valve (inside)	05042101
209	1	Tube #5 #1 Load End Cylinder to Switching Valve	05042201
210	2	Tube #6 Cross-Over Tube	05042301
211	1	Tube #7 #2 Unload End Cylinder to Tee	05042401
212	1	Tube #8 Return Ball Valve Port to Switching Valve	05042501
213	1	Tube #9 Pressure Ball Valve Port to Switching Valve	05042601
214	1	Tube #10 #3 Load End Cylinder to Switching Valve	05042701
215	1	Tube #11 #1 Unload End Cylinder to Couple	05042801
216	1	Tube #12 #1 Unload End Cylinder to Switching Valve	05042901
217	1	Tube #13 #3 Unload End Cylinder to Switching Valve Tee	05042901
218	1	Tube #14 Control Valve to Unload End Tee	05043001
219	1	Tube #15 #2 Load End Cylinder to Load End Tee	05043101
-	-	<b>Hydraulic Fittings</b>	-
-	-	Includes Items 225-237	-
225	3	63UA-12-12 Bent Stem 90°	84683100
226	4	63UC-06-06 Long Bent Stem 90°	84683300
227	2	6807-06-06 Fitting 90°	84692600
228	4	6602-12-12-12 Tee	84690300
229	6	6400-12-12 Straight	84685000
230	1	63TA-16-16 Bent Stem 45°	84682700
231	1	6801-LL-16-16 Fitting 90°	84690960
232	1	63UA-16-16 Bent Stem 90°	84683200
233	1	2601-16-16-16 Tee	84677700
234	1	2603 06-06-06 Union Tee	84678030
235	1	2406-16-06 Straight	84676200
236	1	6801-LL-12-12 Fitting 90°	84690950
237	3	Staub Cylinder Hose Connector	03054101